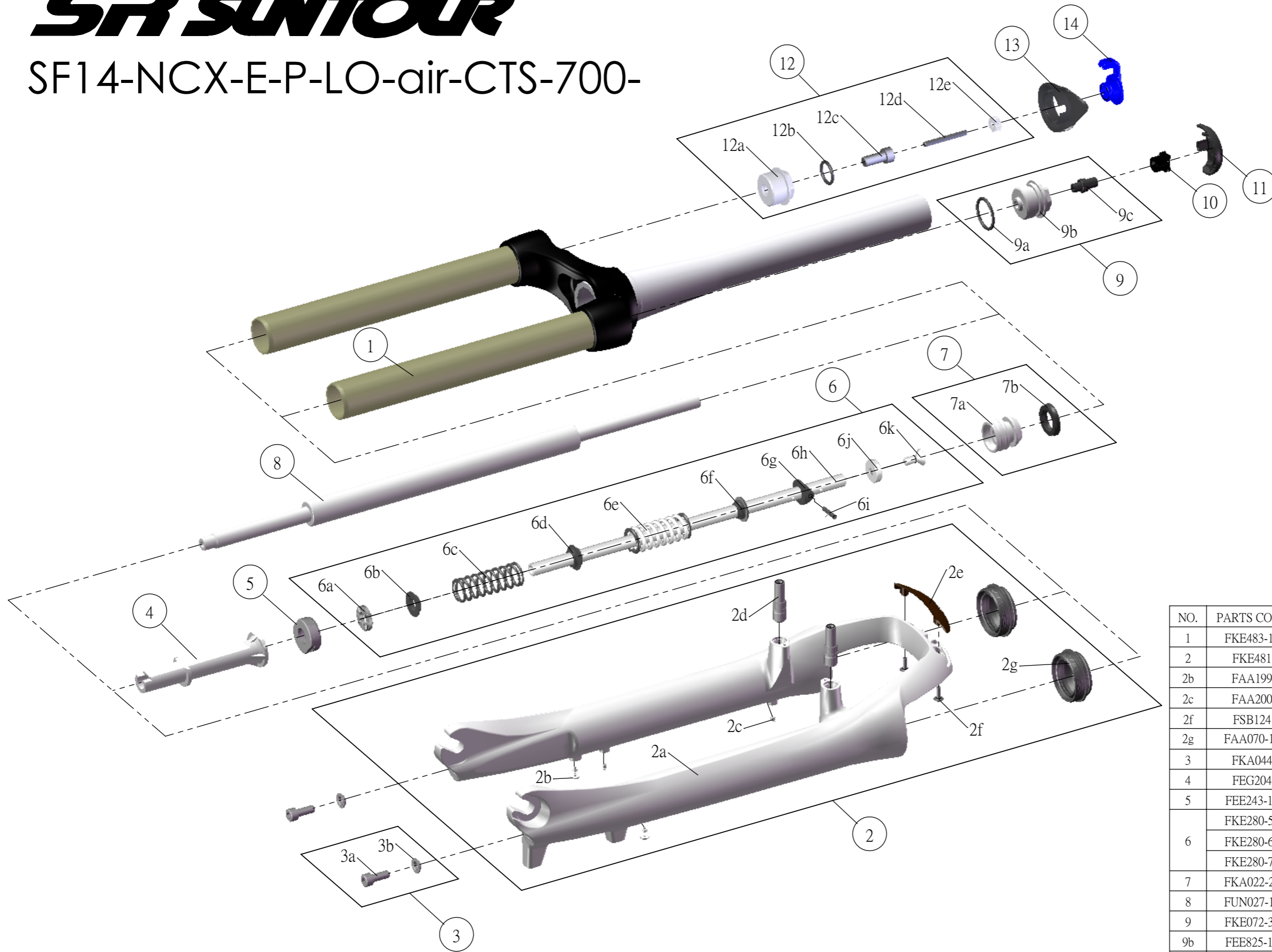


SF SUNTOUR

SF14-NCX-E-P-LO-air-CTS-700-



| NO. | PARTS CODE | PARTS NAME | 50 | 63 | 75 | QT |
|-----|------------|-------------------|----|----|----|----|
| 1 | FKE483-10 | UPPER ASSY | * | * | * | 1 |
| 2 | FKE481 | BOTTOM CASE ASSY | * | * | * | 1 |
| 2b | FAA199 | MOUNT CAP | * | * | * | 2 |
| 2c | FAA200 | MOUNT CAP | * | * | * | 2 |
| 2f | FSB124 | TAPPING SCREW | * | * | * | 2 |
| 2g | FAA070-10 | DUST SEAL | * | * | * | 2 |
| 3 | FKA044 | FIXING BOLT SET | * | * | * | 2 |
| 4 | FEG204 | BOTTOM STOPPER | * | * | * | 1 |
| 5 | FEE243-10 | FORK NOSE | * | * | * | 1 |
| 6 | FKE280-50 | SUPPORT TUBE ASSY | * | | | 1 |
| | FKE280-60 | | | | * | 1 |
| | FKE280-70 | | | * | | 1 |
| 7 | FKA022-21 | PISTON UNIT | * | * | * | 1 |
| 8 | FUN027-18 | DAMPER UNIT | * | * | * | 1 |
| 9 | FKE072-30 | AIR CAP ASSY | * | * | * | 1 |
| 9b | FEE825-10 | AIR CAP | * | * | * | 1 |
| 10 | FKE450 | VALVE CAP ASSY | * | * | * | 1 |
| 11 | FEE813-10 | PRELOAD COVER | * | * | * | 1 |
| 12 | FKE214-03 | LO TOP CAP ASSY | * | * | * | 1 |
| 12a | FEE808-20 | ADJUST CAP | * | * | * | 1 |
| 13 | FEE812-10 | LO KNOB COVER | * | * | * | 1 |
| 14 | FEE809-10 | ADJUST KNOB | * | * | * | 1 |